

Single Pole Distribution Blocks



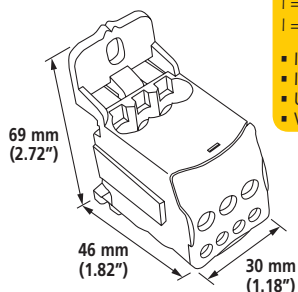
- Visual inspection of wire and confirmation of connection
- Halogen-free
- IP 20 finger safe
- 95% fill ratio
- Self extinguishing: UL94 V-0
- Tinned copper blocks: Copper or Aluminum Cable
- Short circuit current rated up to 100 KA - See UL file E198301
- RoHS Compliant

UD 80 A 80 A - IEC 85 Amp - cRU^{us}

- Modular: keeping only one input, the blocks can be supplied in parallel using a jumper wire. Easily double the neutral.

* CENTER TO CENTER DRILLING: 54 mm (2.12")

- I = 80 A IEC
- I = 85 A UL/CSA
- Icw KA rms 1s : 3
- IPk KA : 22
- Ui : 1000 V AC/DC IEC
- Vin : 600 V UL

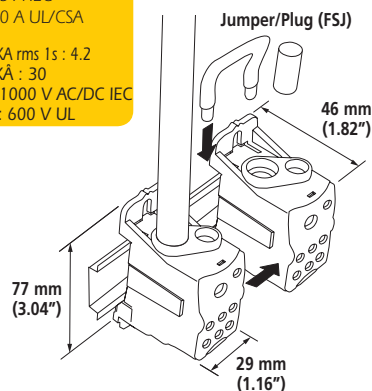


UDJ 125 A 125 A - IEC 150 Amp - cRU^{us}

- Modular: keeping only one input, the blocks can be supplied in parallel using a jumper. Easily double the neutral.

I = 125 A IEC
I = 150 A UL/CSA

- Icw KA rms 1s : 4.2
- IPk KA : 30
- Ui : 1000 V AC/DC IEC
- Vin : 600 V UL



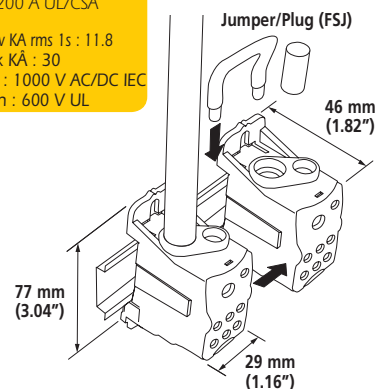
* CENTER TO CENTER DRILLING: 64 mm (2.53")

UDJ 160 A 160 A - IEC 200 Amp - cRU^{us}

- Modular: keeping only one input, the blocks can be supplied in parallel using a jumper. Easily double the neutral.

I = 160 A IEC
I = 200 A UL/CSA

- Icw KA rms 1s : 11.8
- IPk KA : 30
- Ui : 1000 V AC/DC IEC
- Vin : 600 V UL



* CENTER TO CENTER DRILLING: 64 mm (2.53")

METRIC	mm ²		Ø		I (N.m)
	6...16	x1	6.8		3,5
	2,5...6	x4	4.5		1,2
	2,5...16	x2	6.8		3,5

IMPERIAL	AWG		Ø		Torque inch/Lbs.
	16...4	x1	0.27		19.5
	16...8	x4	0.177		10.6
	16...4	x2	0.27		19.5

METRIC	mm ²		Ø		I (N.m)
	10...35	x1	10		8,5
	6...16**	x1	6.8		3,5
	2,5...16	x4 x6	6.8		3,5

** or common jumper

IMPERIAL	AWG		Ø		Torque inch/Lbs.
	8...1/0	x1	0.394		57
	10...4	x1	0.27		31
	10...4	x6	0.27		31

METRIC	mm ²		Ø		I (N.m)
	10...70	x1	12.3		8,5
	6...16**	x1	6.8		3,5
	2,5...16	x4 x6	6.8		3,5

** or common jumper

IMPERIAL	AWG		Ø		Torque inch/Lbs.
	8...3/0	x1	0.484		75
	10...4	x1	0.27		31
	10...4	x6	0.27		31

Part No.	Description		kg/lbs
569010	UD 80 A	1	0,07/0.15

Flexible stranded cable (including terminal up to 50 mm²)

Rigid cable

Part No.	Description		kg/lbs
569020	UDJ 125 A	1	0,15/0.33
569150	FSJ*	25	0,03/0.07

Part No.	Description		kg/lbs
569030	UDJ 160 A	1	0,15/0.32
569150	FSJ*	25	0,03/0.07

* Not UL® Recognized

Single Pole Distribution Blocks

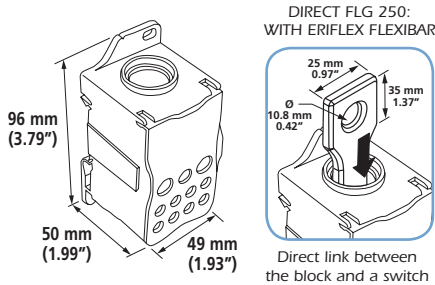


- ERIFLEX FLEXIBAR connection at input, using flag terminals (FLG 250 A & FLG 400 A)

UD 250 A 250 A - IEC 255 Amp - cULus

**NEW
1000V IEC**

- Modular: allows versatile building of power blocks single pole, two pole, three pole or four pole.



I = 250 A IEC
I = 255 A UL/CSA

- Icw KA rms 1s : 24,5
- IPk KA : 51
- Ui : 1000 V AC/DC IEC
- Vin : 600 V UL

CENTER TO CENTER DRILLING:
85 X 29 mm (3.35" x 1.14")

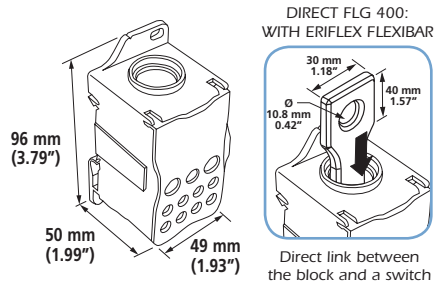
METRIC	mm²	mm²		Ø		I(N.m)
	35...120	35...120	x1	15		19
	6...35	6...25	x2	9		4,4
	2,5...16	2,5...16	x5	6.8		2,7
	2,5...10	2,5...10	x4	6.1		2,7

IMPERIAL	AWG		Ø		Torque inch/Lbs.
	6...250 Kcmil	x1	0.59		168
	8...1	x2	0.354		39
	8...4	x5	0.27		24
	8...6	x4	0.24		24

Part No.	Description		kg/lbs
569040	UD 250 A	1	0,42/0.89
569160	FLG 250*	10	0,05/0.12

UD 400 A 400 A - IEC 335 Amp - cULus

- Modular: allows versatile building of power blocks single pole, two pole, three pole or four pole.



I = 400 A IEC
I = 335 A UL/CSA

- Icw KA rms 1s : 24,5
- IPk KA : 51
- Ui : 1000 V AC/DC IEC
- Vin : 600 V UL

CENTER TO CENTER DRILLING:
85 X 29 mm (3.35" x 1.14")

METRIC	mm²	mm²		Ø		I(N.m)
	95...185	95...185	x1	19		25
	6...35	6...25	x2	9		4,4
	2,5...16	2,5...16	x5	6.8		2,7
	2,5...10	2,5...10	x4	6.1		2,7

IMPERIAL	AWG		Ø		Torque inch/Lbs.
	3/0...400 Kcmil	x1	0.748		221
	8...1	x2	0.354		39
	8...4	x5	0.27		24
	8...6	x4	0.24		24

Part No.	Description		kg/lbs
569050	UD 400 A	1	0,4/0.89
569170	FLG 400*	10	0,1/0.21

* Not UL® Recognized
* Not IP 20